

HX60LS

Multi-spectrum Binocular



HIKMICRO HABROK Pro HX60LS multi-spectrum binocular is equipped with an 15mK NETD, 1280 x 1024 50Hz thermal detector @60mm thermal lens and an advanced 4K digital detector with 60mm lens, ensuring smooth image display, perfect image quality and detail recognition in various weather and light conditions. Combined with a 1000m Laser rangefinder and replaceable IR emitter @850nm wavelength, this all-in-one binocular can be applied mainly in forest & field hunting, birding, animal searching, rescuing and marine scenario.

● Key Feature

- 1280 x 1024 resolution @12 μ m 50Hz thermal detector
- High sensitivity thermal module NETD < 15 mK (@25°C, F# = 1.0)
- 60mm, F1.0 lens with thermal detection range up to 3100m
- 3840 x 2160 4K ultra high-resolution, 60mm, F2.2 digital camera
- 1920 x 1080 resolution 0.49-inch OLED display
- Replaceable 850nm IR emitter and 1000m Laser Rangefinder
- 5.5 h+ continuous operation time with replaceable battery pack
- 1050g lightweight, with a compact and ergonomic design

· Specification

Thermal Module	
Image Sensor	VOx Uncooled Focal Plane Arrays
Max. Resolution	1280 x 1024
Frame Rate	50Hz
Pixel Interval	12 μ m
Response Waveband	8 μ m to 14 μ m
NETD	Less than 15 mK (@25°C),F#=1.0
Lens (Focal Length)	60mm, F1.0
Focus Mode	Focus Ring
Detection Range	3100m
Min. Focusing Distance	3m
Magnification	2.6x-20.0x (7.7x)
Field of View(H × V), Degrees / m @100m	14.6° × 8.8° / 25.6m x 15.4m
Optical Module	
Image Sensor	1/1.8" Progressive Scan CMOS
Max. Resolution	3840 x 2160
Focal Length	60mm, F2.2
Min. Working Distance	3m
Focus Mode	Focus Ring
Magnification	5.5x - 22.0x (4x)
Field of View (H × V), Degrees/m @100 m	7.3° x 4.1° / 12.6m × 7.2m
Smart IR	Yes
IR Illuminator Wavelength	850nm
Viewing Range at Night	400m
Replaceable IR Illuminator	Yes
Image Display	
Display	0.49 inch, OLED, 1920 × 1080
Palettes	Thermal: Black Hot, White Hot, Red Hot, Fusion, Red Monochrome, Green Monochrome; Optical: Day, Night, Green, Yellow, Auto
Exit Pupil	8mm
Eye Relief	15mm
Diopter (Range)	-5D~+3D
Brightness Adjustment	Yes
Tone Adjustment	Cold, warm
Contrast Adjustment	Yes
FFC (Flat Field Correction) Mode	Auto, Manual, External Correction
Zoom Pro	No
Image Pro 3.0	Yes
Sync Pro	Yes

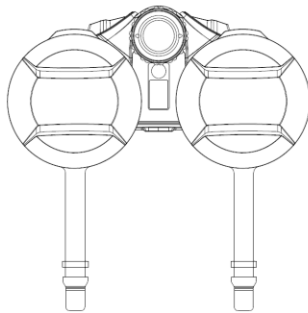
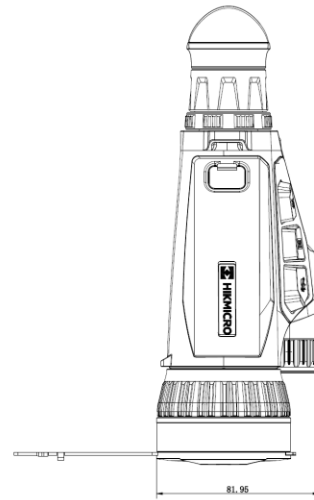
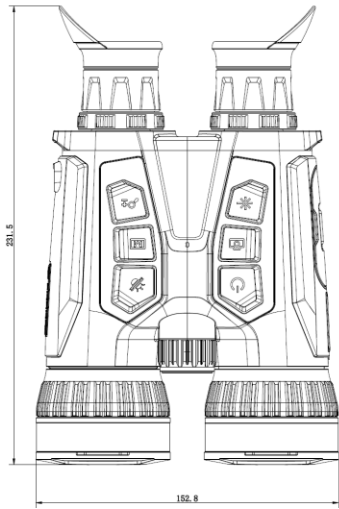
System	
Record Video	Yes
Capture Snapshot	Yes
Audio Recording	Yes
Storage	Built-in EMMC (64 GB)
PIP	Yes
Hotspot	Yes
Hot Track	Yes
Digital Magnetic Compass	Yes
GPS	Yes
Local Album	Yes
Standby Mode	Yes
Power Supply	
Battery Type	Replaceable and Rechargeable Li-ion Battery Pack
Battery Operating Time	5.5h (25 °C, with hotspot off, LRF on)
Type-C Power Supply	5V/9V DC, 3A Support External Power Supply, Support Direct Charging
General	
Dimension	152.8mm × 81.95 mm × 231.5 mm (6.0" × 3.2" × 9.1")
Working Temperature	-30°C ~ +55°C
Weight	1050g with battery pack
Protection Level	IP67
Interpupillary Adjustment Range	60 mm to 74 mm
Mounting Adapter	1/4 "-20-UNC
Laser Rangefinder	
Safety Class for Laser	Class 1
Wavelength	905nm
Max. Measuring Range	1000m
Measurement Accuracy	± 1m
Min. Measuring Range	10m

▪ Available Model

HM-TSAC-60S2G/W1LVE-HX60LS

▪ Dimension

Unit: mm



▪ Accessories



Neck Strap (x 1)



Type-C Cable (x 1)



Tripod Adapter (x 1)



Battery (x 2)



Replaceable IR Illuminator (x 1)



QSG (x 1)



Lint-Free Cloth (x 1)



Battery Charger (x 1)



Binocular Harness (x 1)



HIKMICRO SIGHT



Hikmicro Hunting.Global HIKMICRO Outdoor www.hikmicrotech.com hikmicro hunting.global HIKMICRO info@hikmicrotech.com

Room 313, Unit B, Building 2, 399 Danfeng Road, Xixing Subdistrict, Binjiang District, Hangzhou, Zhejiang
© Hangzhou Microimage Software Co., Ltd. All rights reserved. | Data subject to change without notice!